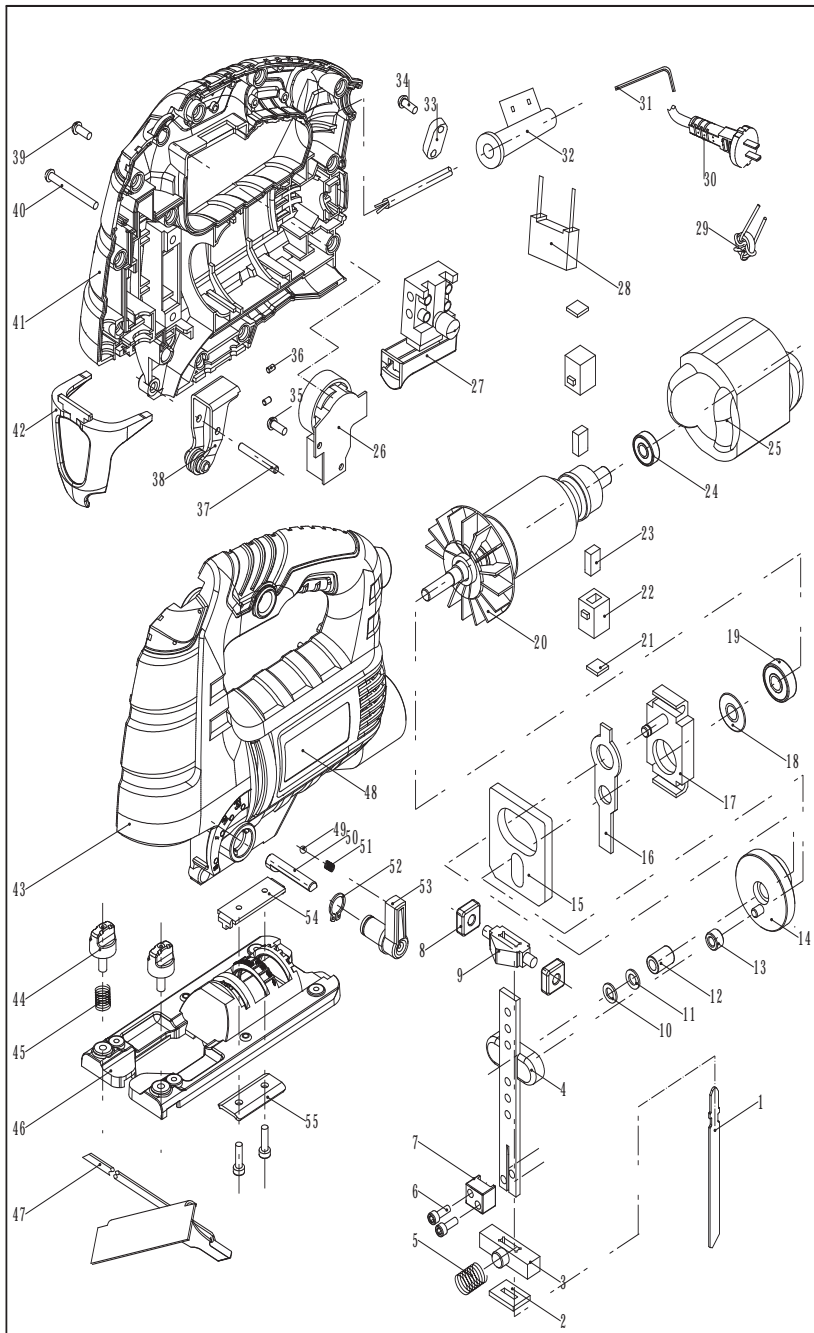


EXPLODED VIEW



SPARE PARTS LIST

	Name	
1	saw blade	1
2	wool plate	1
3	low stent	1
4	reciprocating lever	1
5	reciprocating lever spring	1
6	screw M4X12	4
7	holder	1
8	stent positioning block	2
9	up stent	1
10	shaft antiextrusion ring6	1
11	flat washer6	1
12	roller bearing	1
13	small slider	1
14	big gear	1
15	balance block	1
16	raise the top plate	1
17	central bracket	1
18	wool circle	1
19	608 bearing	1
20	armature	1
21	brush cover	2
22	brush box	2
23	brush 5*9*12	2
24	607 bearing	1
25	stator	1
26	speed controler	1
27	switch FA4-8/2B	1
28	capacitance	1
29	inductance	2
30	cable set	1
31	hex-spanner 4	1
32	cable guard	1
33	cable press	1
34	screw st4.2*14	2
35	screw se2.9*8	2
36	balance block locating pin	4
37	barrel frame locating pin	1
38	Roller rack component	1
39	screw 4.2*16	12
40	screw 4.2*35	2
41	housing-right	1
42	transport cover	1
43	housing-left	1
44	fixed screw of guide ruler	2
45	spring	2
46	base plate set	1
47	guide ruler	1
48	label	1
49	steel ball	1
50	shift knob pin	1
51	knob spring	1
52	shaft antiextrusion ring11	1
53	shift knob	1
54	up plate	1
55	down plate	1